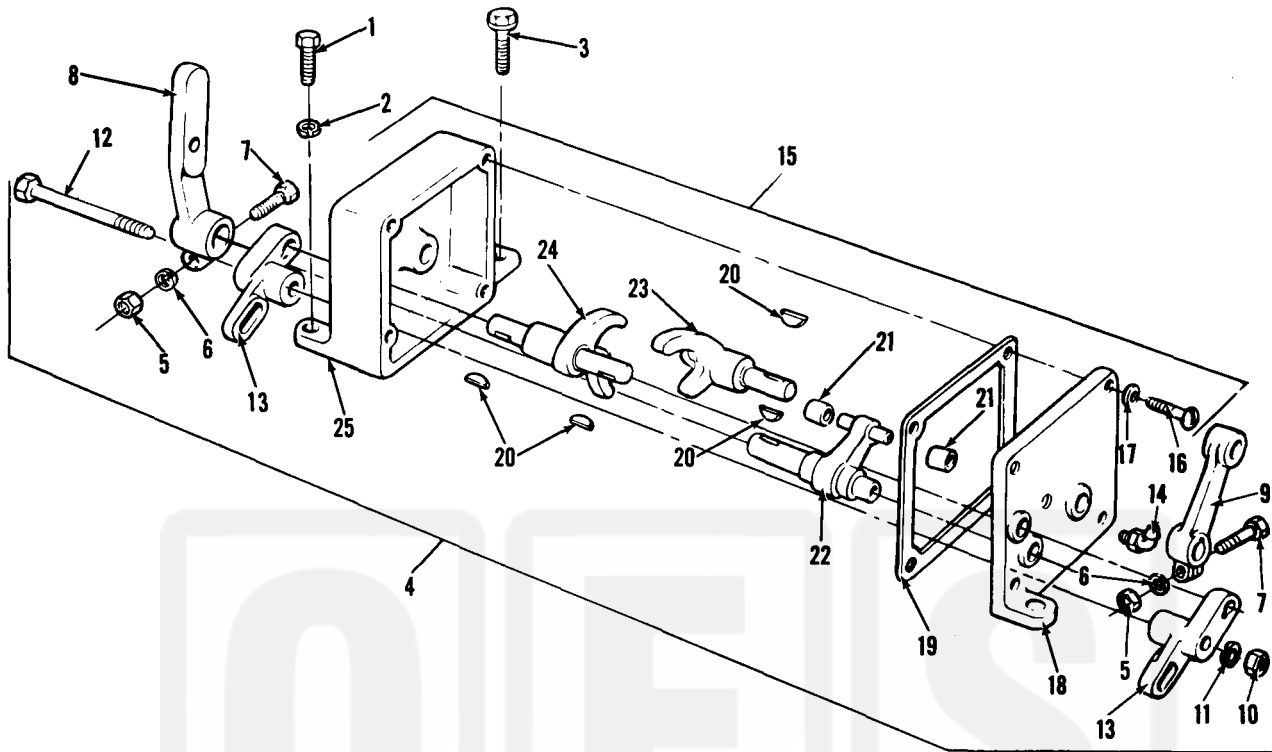
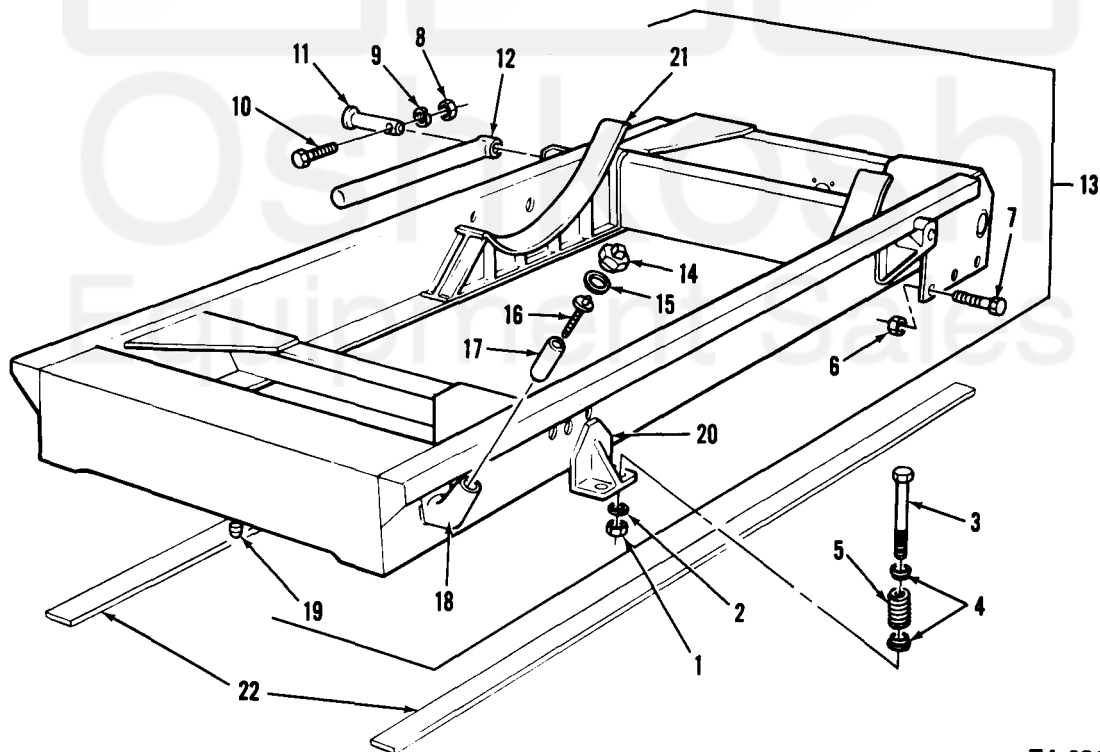


(1)	(2)	(3)	(4)	(5)	(6)	(7)	(8)
ILLUS.							QTY
(a)	(b)	SMR	NATIONAL	PART	DESCRIPTION	U/M	INC
FIG.	ITEM	CODE	STOCK	NUMBER	FSCM		IN
NO.	NO.		NUMBER		USABLE ON CODE		UNIT
					2001-HOIST,CAPSTAN,WINDLASS,CRANE OR WINCH ASSEMBLY(CONT'D)		
292	14	PAFZZ	4730-00-172-0034	MS15003-6	96906	FITTING,LUBRICATION:DUMP BODY HYDRAULIC HOIST CONTROL BOX LUB (M47,M59,M342,M342A2)	EA 1
292	15	XAFZZ		11609250	19207	BOX ASSEMBLY (M47,M59,M342,M342A2)	EA 1
292	16	XAFZZ		133043	21450	SCREW(M47,M59,M342,M342A2)	EA 1
292	17	XAFZZ		120380	21450	WASHER(M47,M59,M342,M342A2)	EA 4
292	18	XAFZZ		7409101	19207	COVER:CONTROL BOX (M47,M59,M342,M342A2)	EA 1
292	19	PAFZZ	5330-00-740-9100	7409100	19207	GASKET:DUMP BODY HYDRAULIC HOIST CONTROL BOX COVER (M47,M59,M342,M342A2)	EA 1
292	20	XAFZZ		110731	21450	KEY(M47,M59,M342,M342A2)	EA 4
292	21	XAFZZ		7409248	19207	ROLLER(M47,M59,M342,M342A2)	EA 2
292	22	XAFZZ		7409098	19207	LEVER ASSEMBLY M47,M59,M342,M342A2)	EA 1
292	23	XAFZZ		8332108	19207	CAM ASSEMBLY (M47,M59,M342,M342A2)	EA 1
292	24	XAFZZ		8332109	19207	CAM ASSEMBLY (M47,M59,M342,M342A2)	EA 1
292	25	XAFZZ		7409091	19207	HOUSING(M47,M59,M342,M342A2)	EA 1
293	1	PAOZZ	5310-00-832-9719	MS51922-61	96906	NUT,SELF-LOCKING (M47,M59,M342,M342A2)	EA 4
293	2	PAOZZ	5310-00-809-8533	MS27183-23	96906	WASHER,FLAT (M47,M59,M342,M342A2)	EA 4
293	3	PAOZZ	5306-00-459-8473	7409031	19207	BOLT,SPECIAL (M47,M59,M342,M342A2)	EA 4
293	4	PAOZZ	5340-00-489-0363	7409030	19207	SEAT,HELICAL (M47,M59,M342,M342A2)	EA 8
293	5	PAOZZ	5360-00-411-2511	7409029	19207	SPRING,HELICAL (M47,M59,M342,M342A2)	EA 4
293	6	PAOZZ	5310-00-982-6809	MS21044-N10	96906	NUT(M47,M59,M342,M342A2)	EA 6
293	7	PAOZZ	5305-00-727-5677	MS90726-162	96906	SCREW,CAP,HEXAGON HEAD (M47,M59,M342,M342A2)	EA 6
293	8	PAOZZ	5310-00-768-0319	MS51968-2	96906	NUT,PLAIN,HEXAGON (M47,M59,M342,M342A2)	EA 6
293	9	PAOZZ	5310-00-637-9541	MS35338-46	96906	WASHER,LOCK (M47,M59,M342,M342A2)	EA 2
293	10	PAOZZ	5305-00-267-8979	MS90726-13	96906	SCREW,CAP,HEXAGON HEAD (M47,M59,M342,M342A2)	EA 2



TA 031388

Figure 292. Hydraulic hoist control box assembly.



TA 031389

Figure 293. Subframe.